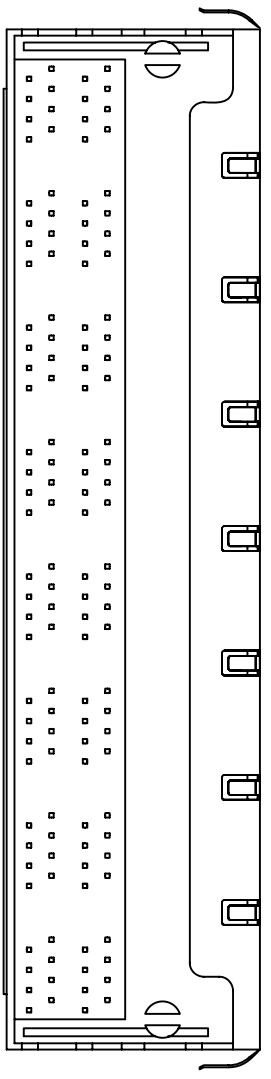
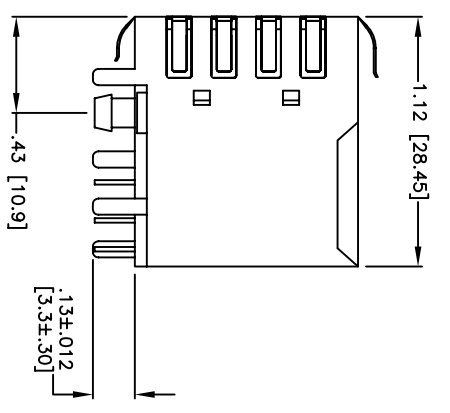
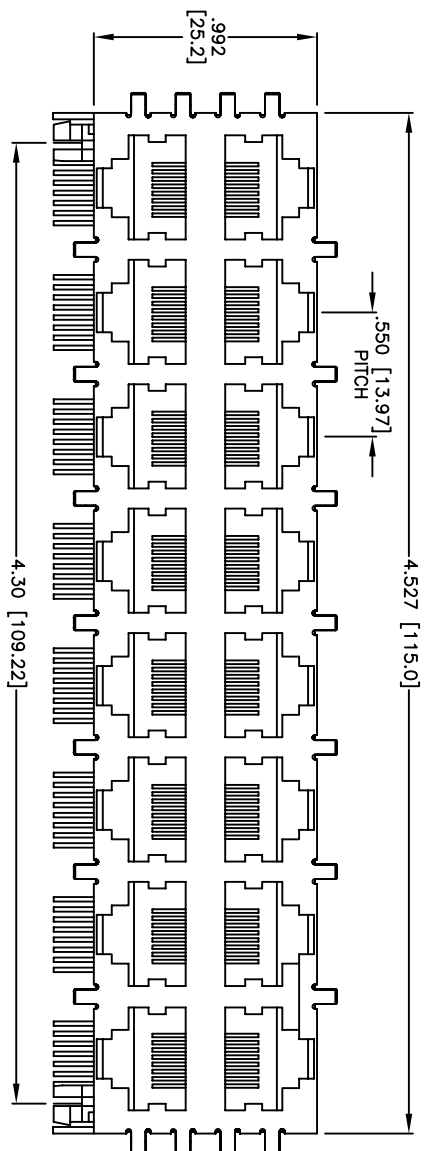


Rev	AWO #	Description	Date	Appr
-		RELEASED	1/25/06	

APPROVED: _____
 DATE: _____ TITLE: _____



SPECIFICATIONS:

Material:
 Insulator: PBT, glass filled, rated UL 94V-0
 Insulator color: Black
 Shield: Phosphor Bronze, Tin plated
 Contacts: Phosphor Bronze

Plating:
 Gold over Nickel underplate on contact area, Tin over Copper underplate on SMT tails (See chart)

X	PLATING
0	15 μin Gold
1	30 μin Gold
2	50 μin Gold

Electrical:
 Operating voltage: 150 VAC max
 Current rating: 1.5 Amps max
 Contact resistance: 20 mohms max
 Insulation resistance: 500 Mohms min @ 500 VDC
 Dielectric withstanding voltage: 1000 VAC for 1 minute
 Temperature Rating:
 Operating temperature: -40°C to +125°C
 Environmental:
 Lead free, RoHS compliant.
 Recommended soldering temp: 235 for 5 sec.



UNLESS OTHERWISE SPECIFIED
 ALL DIMENSIONS ARE INCHES [MM]
 TOLERANCES: EXCEPT AS NOTED
 INCHES HOLES
 .X ±.10 Ø.X
 .XX ±.020 Ø.XXX
 .XXX ±.015 Ø.XXXX
 APPROVALS DATE

ADAM TECH
 909 Rahway Avenue, Union, NJ 07083
 Phone: 908-687-5000 Fax: 908-687-5710

DRAWN	SS	1/25/06
CHECKED		
APPROVED		

TITLE	16 PORT GANGED STACKED JACK
SIZE	8P8C
PART NO.	MTJG-16-88JX1-FSG-PG-C5
REF:	
SCALE:	NTS
SHEET	1 OF 2